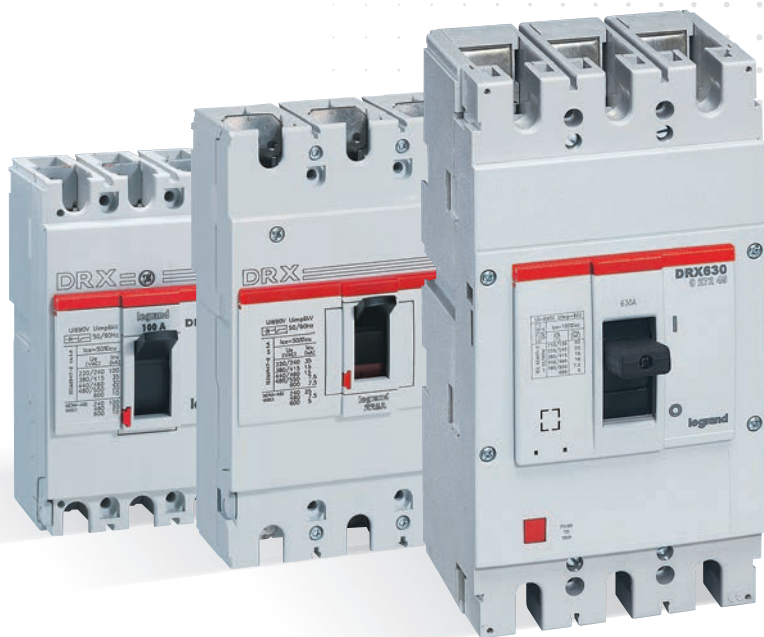




THERMAL MAGNETIC MCCBs

DRX

NOW UP TO 630 A



CATALOGUE
PAGES
→ INSIDE

THE GLOBAL SPECIALIST
IN ELECTRICAL AND DIGITAL BUILDING INFRASTRUCTURES



DRX



AN EXTENDED RANGE UP TO 630 A

Designed to work in any type of environment, the DRX range of thermal magnetic circuit breakers has been expanded to meet your essential needs in terms of protecting an electrical installation up to 630 A.

For many years, the robust design of the DRX range has made it the ideal choice for efficiency and economy.

THE RANGE: THERMAL MAGNETIC MCCBs

Mounting

Rated current (In)

Breaking capacity (Icu) at 415 V \sim

Standard breaking capacity Ics (%Icu)

Number of poles

* From 15 to 100 A

A solution adapted to numerous different sites, whether residential, commercial or even in the industrial sector.

Works in any type of environment, including in extreme temperatures.



THE BENEFITS OF THE DRX RANGE

THE CHOICE

- Three different sizes
- Ratings ranging from 15 to 630 A
- Several breaking capacities between 16 and 50 kA

ROBUST DESIGN

- SEMKO - LOVAG certification
- Compliant with standard IEC 60947-2
- Mechanical endurance up to 25,000 operations

ADAPTABILITY

- An exclusive system to change from the 50 mm standard to the 45 mm DIN standard
- Fixing on DIN rail or plate for DRX 125 and 250
- Wiring via cables or busbars
- Installation in any position
- Suitable for all environments (tropicalisation, pollution, salt corrosion, etc.)
- Operates in AC or DC



DRX 125



DRX 250



DRX 630

ON RAIL OR ON PLATE			ON RAIL OR ON PLATE			ON PLATE	
From 15 to 125 A			From 125 to 250 A			From 320 to 630 A	
16 kA	20 kA	36 kA	18 kA	25 kA	36 kA	36 kA	50 kA
50	50	50	50	50	50	50	50
3P - 4P	3P - 4P	1P* - 2P* 3P - 4P	3P - 4P	3P - 4P	3P - 4P	3P - 4P	3P - 4P

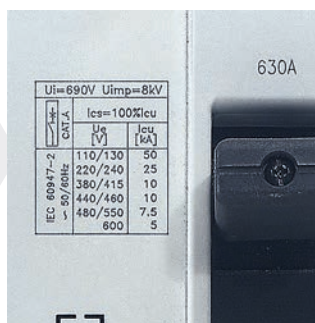
SIMPLICITY EFFICIENCY ACCESSIBILITY

With just 3 circuit breaker sizes, the DRX range has it covered when it comes to providing protection against overloads and short-circuits, for sites up to 630 A.



The new DRX 125:
a higher rating for
the same sizes like
the old DRX 100

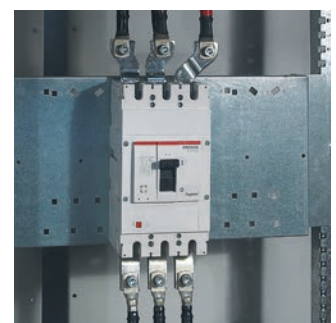
DRX



EASY IDENTIFICATION

Clear, simple, indelible marking on the front of the MCCB states the:

- thermal magnetic protection
- nominal current
- breaking capacity



EASE OF WIRING

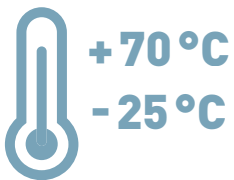
Numerous wiring accessories are available to assist installation.

ROBUST DESIGN

RELIABILITY

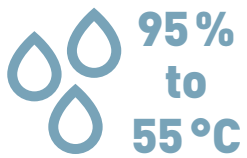
SAFETY

With the DRX range, you can guarantee long-term protection for your customers' installations. Its rugged construction ensures continuity of operation even in excessive temperatures.



EXTREME TEMPERATURES

DRX MCCBs operate in extreme temperature conditions, between -25°C and +70°C, and need no temperature derating up to 50°C.



UTE C63100 GUIDE

Can be used in any type of environment: ropicalisation execution II (all climates, relative humidity between 95% and 55°C).



ROBUST DESIGN

The DRX has proven mechanical endurance up to 25,000 operations.



SAFETY

No live parts are accessible once installed under a faceplate.



ROTARY HANDLE

The rotary handle, is available in direct or external version in order to accommodate different users' habits or the specific constraints affecting each type of site. It is simple and quick to fit.



HORIZONTAL OPERATION

If required, DRX MCCBs can also be installed horizontally in enclosures like XL3-N 630.



QUALITY LEVEL
Guaranteed by SEMKO certification.
Compliant with standard IEC 60947-2.

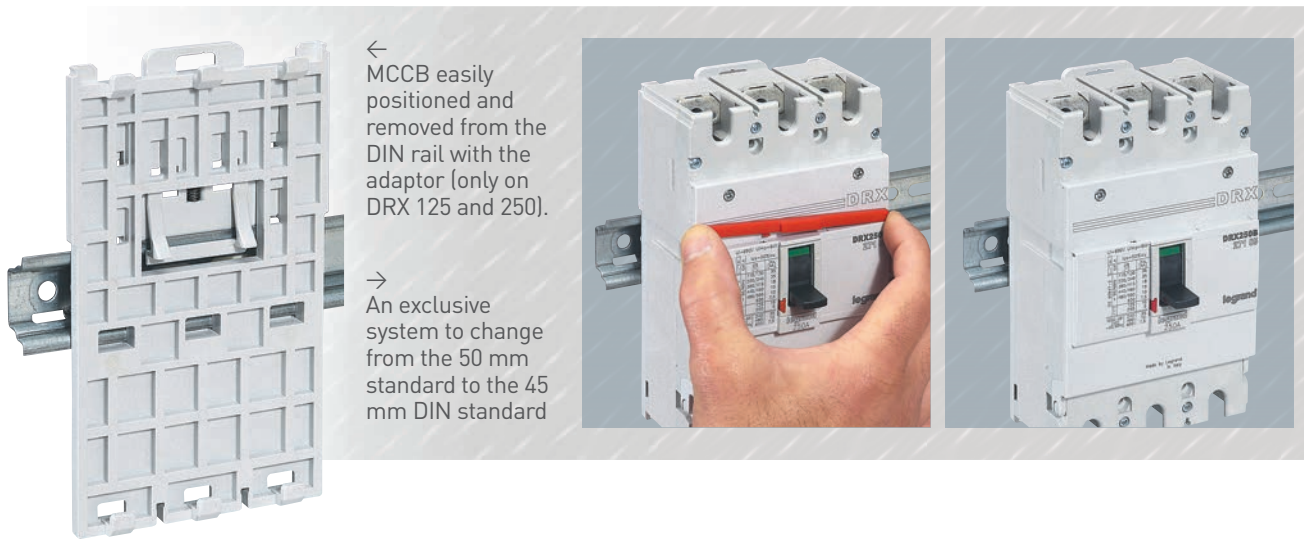


OPERATES IN AC OR DC

EASE OF INSTALLATION AND WIRING

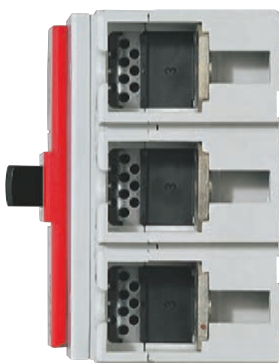
The DRX range includes numerous accessories which make wiring and installation easier and allow remote tripping, saving time during installation and enhancing safety.

EASE OF INSTALLATION AND FLEXIBILITY

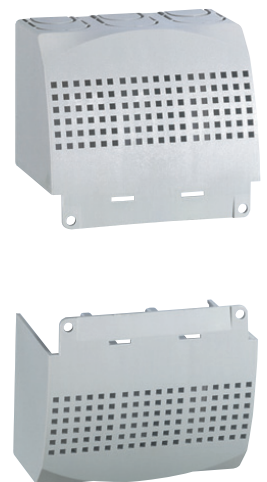


A VARIETY OF WIRING SYSTEM OPTIONS

24 mm distance between base and terminal, for mounting on busbars.

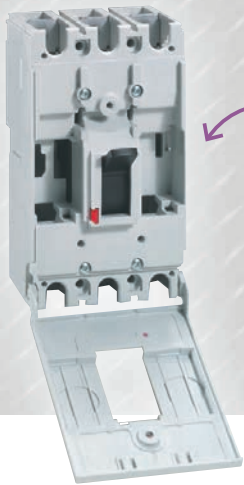


Cable spreaders, cage terminals, rear terminals, terminal shields, etc; our wiring accessories cover all your requirements.



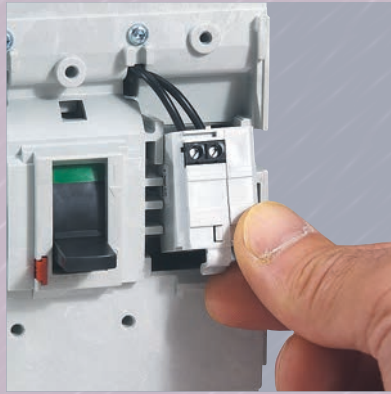
DRX

REMOTE TRIPPING FOR SAFETY



← Both the DRX 125 and 250 have a hinge so the front can open and close.

→ The control and signalling auxiliaries simply clip on.



RISK-FREE INTERVENTION

The padlock can be used to lock the handle in "Open" position during maintenance operations and thus avoid any risk of accidents due to mishandling.



The DRX range can also be installed in XL³-N 125/250 enclosures

DRX™ 125

thermal magnetic MCCBs from 15 to 125 A



Technical characteristics and curves p. 7 to 9

For switching, control, isolation and protection of low-voltage electrical lines
Can be fitted with auxiliaries (p. 10)

Supplied with:

- M5 terminal for $I_n \leq 50$ A and M8 range for $I_n > 50$ A
- Fixing screws
- Insulating shields (2 for 3P and 3 for 4P)

Fixed thermal and magnetic

Conform to IEC 60947-2, in compliance with NEMA

Pack	Cat.Nos		DRX 125
			Breaking capacity Icu 10 kA (415 V~)
	3P	4P	I_n
1	0 270 00	0 270 10	15 A
1	0 270 01	0 270 11	20 A
1	0 270 02	0 270 12	25 A
1	0 270 03	0 270 13	30 A
1	0 270 04	0 270 14	40 A
1	0 270 05	0 270 15	50 A
1	0 270 06	0 270 16	60 A
1	0 270 39	0 270 29	63 A
1	0 270 07	0 270 17	75 A
1	0 272 55 ²	0 272 56 ²	80 A
1	0 270 08	0 270 18	100 A
1	0 270 09	0 270 19	125 A
			Breaking capacity Icu 20 kA (415 V~)
			I_n
1	0 270 20	0 270 30	15 A
1	0 270 21	0 270 31	20 A
1	0 270 22	0 270 32	25 A
1	0 270 23	0 270 33	30 A
1	0 270 24	0 270 34	40 A
1	0 270 25	0 270 35	50 A
1	0 270 26	0 270 36	60 A
1	0 272 20	0 272 22	63 A
1	0 270 27	0 270 37	75 A
1	0 272 57 ²	0 272 58 ²	80 A
1	0 270 28	0 270 38	100 A
1	0 272 21	0 272 23	125 A
			Breaking capacity Icu 36 kA (415 V~)
	1P	2P	I_n
1	0 270 40 ¹	0 270 50	15 A
1	0 270 41 ¹	0 270 51	20 A
1	0 270 42 ¹	0 270 52	25 A
1	0 270 43 ¹	0 270 53	30 A
1	0 270 44 ¹	0 270 54	40 A
1	0 270 45 ¹	0 270 55	50 A
1	0 270 46 ¹	0 270 56	60 A
1	0 270 47 ¹	0 270 57	75 A
1	0 270 48 ¹	0 270 58	100 A
	3P	4P	I_n
1	0 270 60	0 270 70	15 A
1	0 270 61	0 270 71	20 A
1	0 270 62	0 270 72	25 A
1	0 270 63	0 270 73	30 A
1	0 270 64	0 270 74	40 A
1	0 270 65	0 270 75	50 A
1	0 270 66	0 270 76	60 A
1	0 272 24	0 272 26	63 A
1	0 270 67	0 270 77	75 A
1	0 272 59 ²	0 272 60 ²	80 A
1	0 270 68	0 270 78	100 A
1	0 272 25	0 272 27	125 A

Pack	Cat.Nos		Mounting on rail
20	0 271 89		Plates for fixing DRX 125 on DIN rail For 1P For 2P For 3P and 4P
12	0 271 90		
6	0 271 87		
			Rotary handles
1	0 271 76		Direct on DRX Standard (grey)
1	0 271 77		Vari-depth handle Comprising: connecting rod, bracket, drilling template, mounting accessories, door locking mechanism Standard (grey)
			Connection accessories
			Insulating shields Used to isolate the connection between each pole Set of 2 Set of 3
1	3P	4P	
1	0 271 81	0 271 82	
			Sealable terminal shields Set of 2
1	0 271 91		
1	3P	4P	
1	0 271 83	0 271 84	Set of 2
			Cage terminals Up to 50 A (inclusive) From 60 to 100 A For 125 A
1	3P	4P	
1	0 271 70	0 271 72	
1	0 271 71	0 271 73	Set of 60 pieces up to 50 A (inclusive)
1	0 272 52	0 272 53	Set of 60 pieces from 60 to 100 A
1	0 271 92		Set of 60 pieces 125 A
1	0 271 93		
1	0 272 54		
			Padlock for DRX 125 and 250
1	0 271 80		For locking on "OFF" position (up to 3 locks)

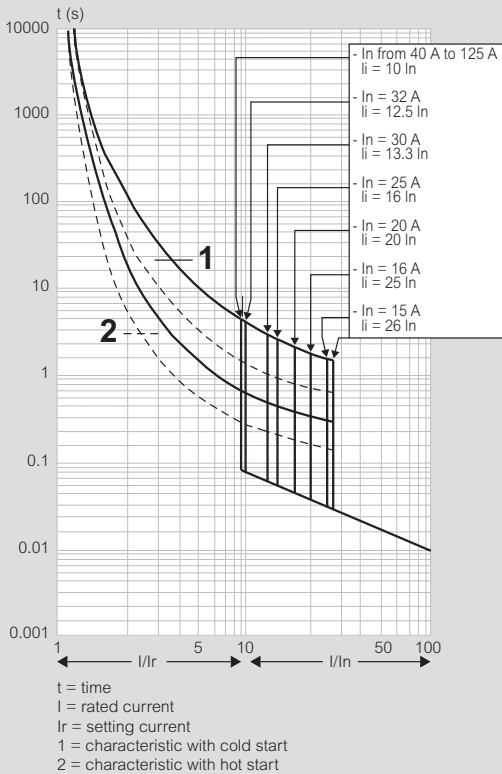
1: Icu 25 kA (240 V~) for 1P
2: Available from January 2015

DRX™ 125

technical characteristics and curves

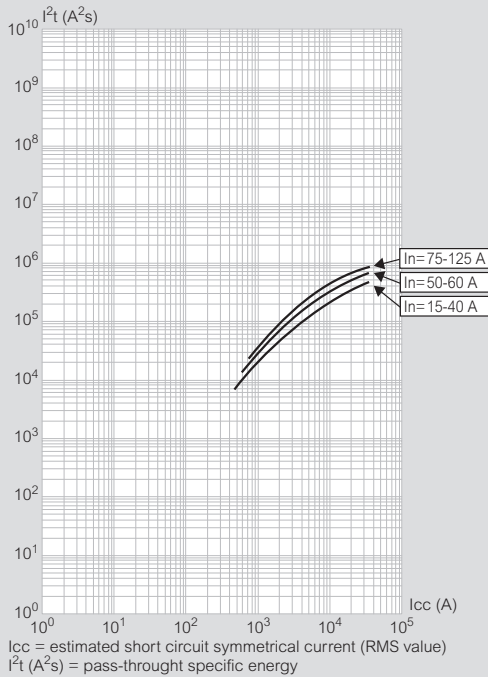
Curves

DRX 125 $I_{max} = 125\text{ A}$ from 10 kA to 36 kA 3P - 4P at 415 V~



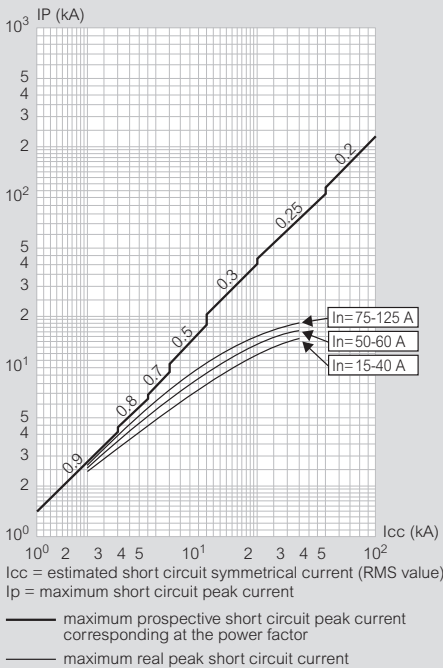
Pass-through specific energy characteristics

DRX 125 $I_{max} = 125\text{ A}$ from 10 kA to 36 kA 3P - 4P at 415 V~



Current limitation

DRX 125 $I_{max} = 125\text{ A}$ from 10 kA to 36 kA 3P - 4P at 415 V~

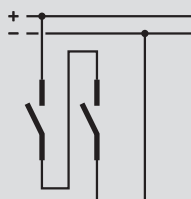


Technical characteristics

	DRX 10 kA	DRX 20 kA	DRX 36 kA ⁽¹⁾	DRX 36 kA	DRX 36 kA
Number of poles	3P - 4P	3P - 4P	1P	2P	3P - 4P
Nominal current I_n (A)	15-125	15-125	15-100	15-100	15-125
Neutral protection for 4P version (%)	100	100	100	100	100
Rated insulation voltage U_i (V)	690	690	690	690	690
Rated impulse withstand current I_{imp} (kV)	6	6	6	6	6
Rated operating voltage (50/60 Hz) U_e (V)	550	550	550	550	550
	110/130 V~	50	75	50	75
	220/240 V~	25	40	25	60
	277 V~	-	-	15	50
	380/415 V~	10	20	10	36
	440/460 V~	10	15	-	30
Ultimate breaking capacity I_{cu} (kA) IEC 60947-2	480/550 V~	7,5	10	-	20
	600 V~	5	5	-	10
	125 V=	10 ⁽²⁾	10 ⁽²⁾	10	20 ⁽²⁾
	250 V=	5 ⁽²⁾	5 ⁽²⁾	5	10 ⁽²⁾
Ultimate breaking capacity I_{cu} (kA) NEMA AB-1	240 V~	25	40	25	100
	480 V~	7,5	10	-	20
	600 V~	5	5	-	10
Standard breaking capacity I_{cs} (% I_{cu})	50	50	50	50	50
Category of use	A	A	A	A	A
Suitable for isolation	YES	YES	YES	YES	YES
Endurance (cycles)	mechanical	25000	25000	25000	25000
	electrical at I_n	8000	8000	8000	8000
	electrical at 0.5 I_n	10000	10000	10000	10000

1: 1P - I_{cu} 25 kA (220/240 V~)
 2: 2 poles in series

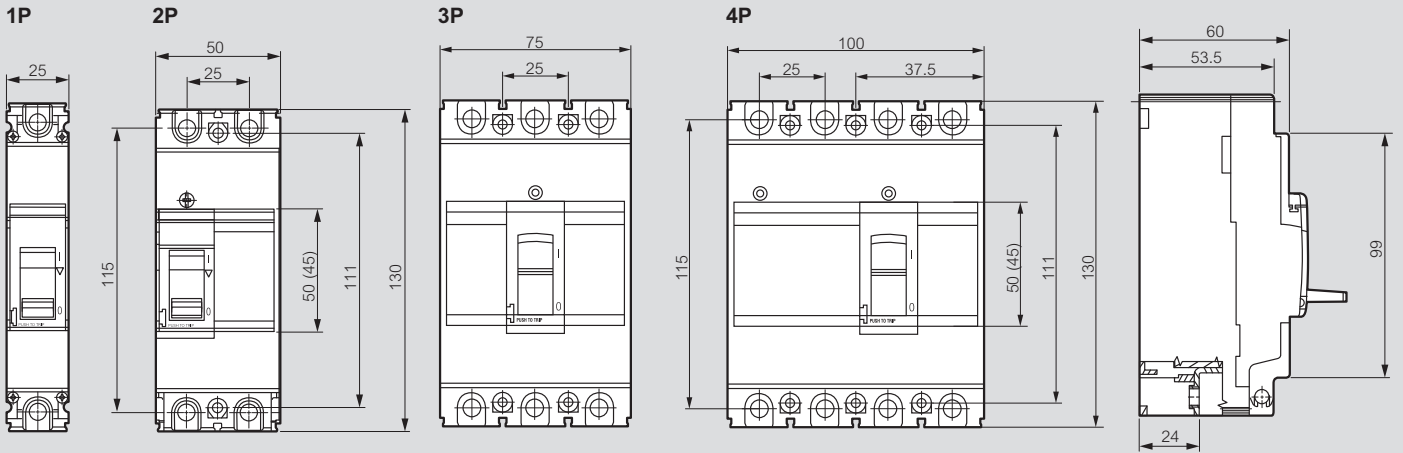
2 poles in series



DRX™ 125

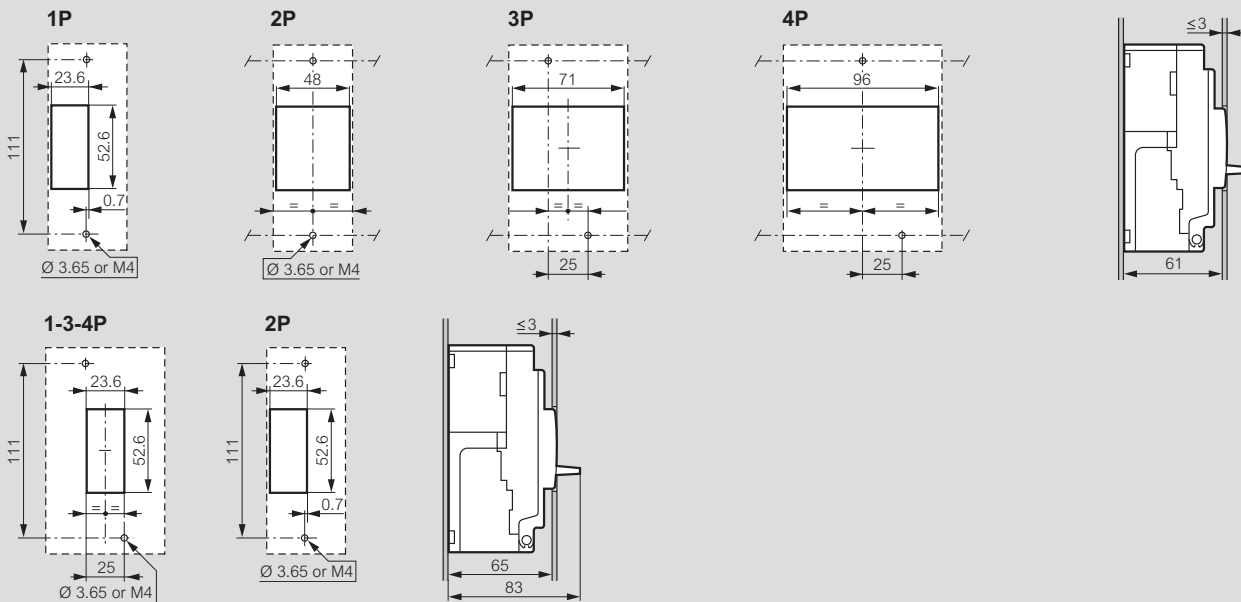
dimensions, mounting principle and connection

Dimensions



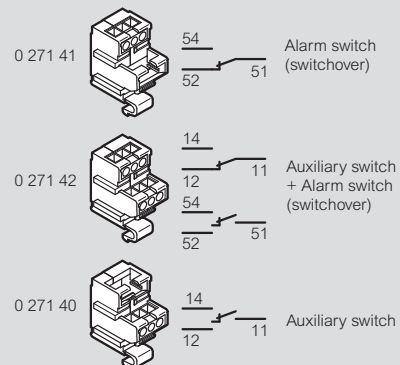
Mounting principle

Door cut-out

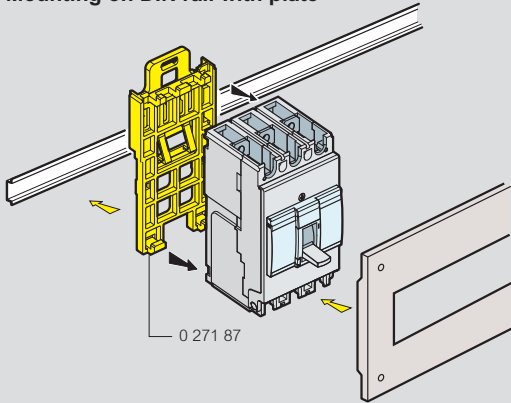


Auxiliary contacts

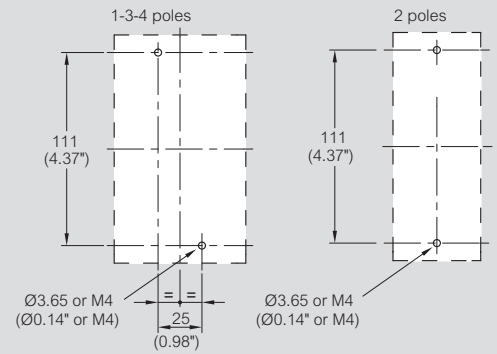
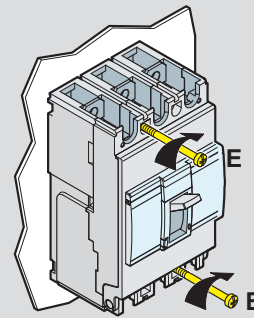
	Voltage (V)	Resistive load (A)
Vac	125	5
	250	5
Vdc	30	5
	50	1
	75	0.75
	125	0.5
250	0.25	
Mechanical endurance (No. of operations)	5 x 10 ⁶	
Temperature (°C)	- 40 to 85 °C	



Mounting on DIN rail with plate



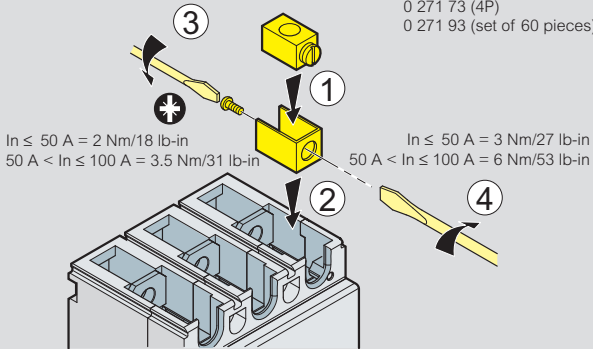
Fixing on plate



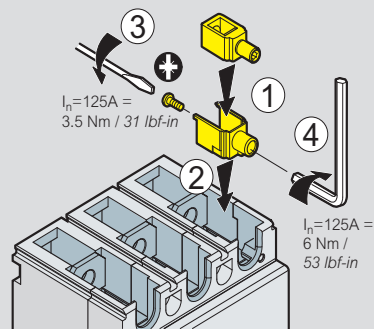
Connection

Connection via cable $I_n \leq 100 \text{ A}$

- $I_n \leq 50 \text{ A} = 0 271 70$ (3P)
- $0 271 72$ (4P)
- $0 271 92$ (set of 60 pieces)
- $50 \text{ A} < I_n \leq 100 \text{ A} = 0 271 71$ (3P)
- $0 271 73$ (4P)
- $0 271 93$ (set of 60 pieces)



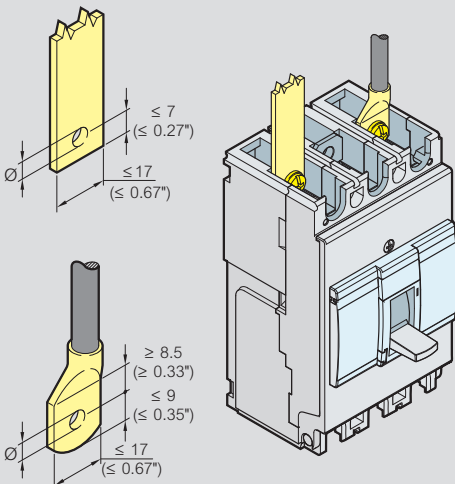
Connection via cable $I_n = 125 \text{ A}$



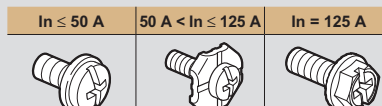
DRX ≤ 50 A	50 A < I_n ≤ 100 A	$I_n = 125 \text{ A}$
Flexible 2.5 → 10 mm ² #14 → #8 AWG	Flexible 10 → 35 mm ² #8 → #3/2 AWG	Flexible 35 → 50 mm ² #3/2 → #1/0 AWG
or Solid 2.5 → 16 mm ² #14 → #6 AWG	Solid 10 → 50 mm ² #8 → #1/0 AWG	Solid 35 → 50 mm ² #3/2 → #1/0 AWG

2.5 to 4 mm² (#14 to #10 AWG) flexible cables connection via crimped end-bars

Connection via busbar

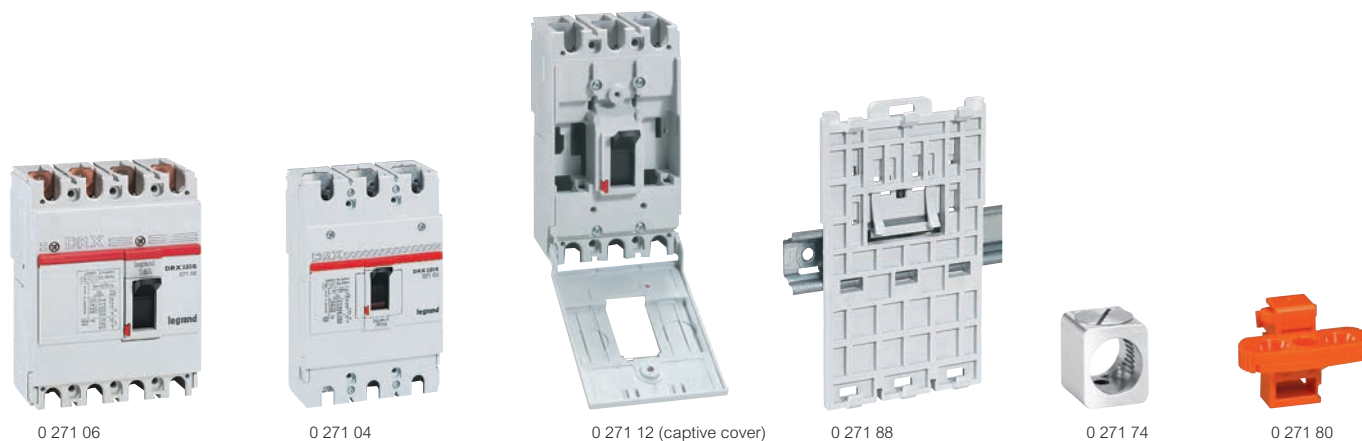


$I_n \leq 50 \text{ A}$	$50 \text{ A} < I_n \leq 125 \text{ A}$
Ø 5.5 mm / 0.21"	Ø 8.5 mm / 0.32"



DRX™ 250

thermal magnetic MCCBs from 125 to 250 A



Technical characteristics and curves p. 11 to 13

For switching, control, isolation and protection of low-voltage electrical lines
 Can be fitted with auxiliaries
 Supplied with:
 - M8 terminals
 - Fixing screws
 - Insulating shields (2 for 3P and 3 for 4P)
 Fixed thermal and magnetic
 Conform to IEC 60947-2

Pack	Cat.Nos		DRX 250
			Breaking capacity Icu 18 kA (415 V~)
	3P	4P	In
1	0 271 00	0 271 06	125 A
1	0 271 01	0 271 07	150 A
1	0 272 28	0 272 29	160 A
1	0 271 02	0 271 08	175 A
1	0 271 03	0 271 09	200 A
1	0 271 04	0 271 10	225 A
1	0 271 05	0 271 11	250 A
			Breaking capacity Icu 25 kA (415 V~)
			In
1	0 271 12	0 271 18	125 A
1	0 271 13	0 271 19	150 A
1	0 272 30	0 272 31	160 A
1	0 271 14	0 271 20	175 A
1	0 271 15	0 271 21	200 A
1	0 271 16	0 271 22	225 A
1	0 271 17	0 271 23	250 A
			Breaking capacity Icu 36 kA (415 V~)
			In
1	0 271 24	0 271 30	125 A
1	0 271 25	0 271 31	150 A
1	0 272 32	0 272 33	160 A
1	0 271 26	0 271 32	175 A
1	0 271 27	0 271 33	200 A
1	0 271 28	0 271 34	225 A
1	0 271 29	0 271 35	250 A

1	0 271 88	Mounting on rail	
		Plate for fixing DRX 250 on DIN rail	

1	0 271 78	Rotary handles	
		Direct on DRX	
		Standard (grey)	
		Vari-depth handle	
		Comprising: connecting rod, bracket, drilling template, mounting accessories, door locking mechanism	
1	0 271 79	Standard (grey)	

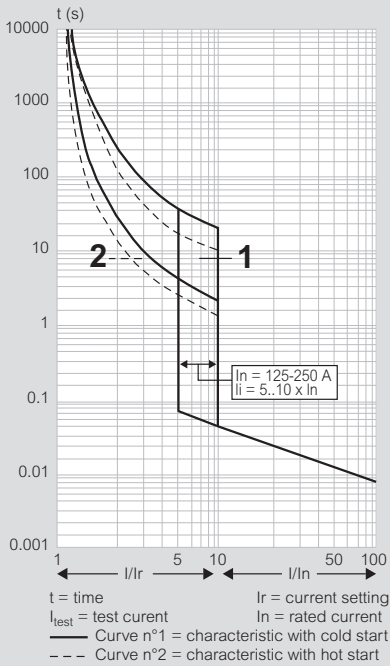
Pack	Cat.Nos	Connection accessories	
		Insulating shields	
		Used to isolate the connection between each pole	
1	0 271 81	Set of 2	
1	0 271 82	Set of 3	
		Sealable terminal shields	
1	0 271 85 0 271 86	Set of 2	
		Cage terminals	
1	0 271 74 0 271 75	Up to 250 A	
1	0 271 94	Set of 60 pieces	
1	0 271 80	Padlock for DRX 125 and 250	
		For locking on "OFF" position (up to 3 locks)	
		Control and signalling auxiliaries for DRX 125 and 250	
		Auxiliary contact blocks	
		For left-hand side mounting	
		Up to 250 V~ and =	
1	0 271 40	Block with 1 auxiliary	
1	0 271 41	Block with 1 alarm	
1	0 271 42	Block with 1 auxiliary + 1 alarm	
		Shunt trips	
1	0 271 50	12 V~ and =	
1	0 271 51	24 V~ and =	
1	0 271 52	48 V~ and =	
1	0 271 53	100/130 V~	
1	0 271 54	200/277 V~	
1	0 271 55	380/480 V~	
		Undervoltage releases	
1	0 271 60	12 V~ and =	
1	0 271 61	24 V~ and =	
1	0 271 62	48 V~ and =	
1	0 271 68	110 V=	
1	0 271 63	110/130 V~	
1	0 271 64	200/240 V~	
1	0 271 67	277 V~	
1	0 271 65	380/415 V~	
1	0 271 66	440/480 V~	

DRX™ 250

technical characteristics and curves

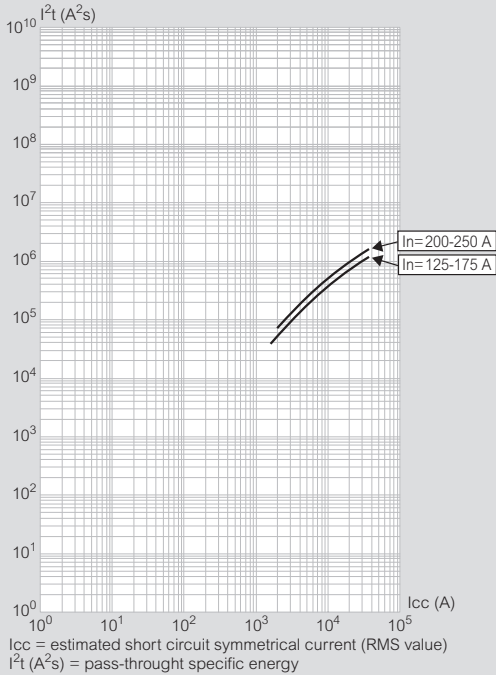
Curves

DRX 250 $I_{max} = 250 \text{ A}$ from 18 kA to 36 kA 3P - 4P at 415 V~



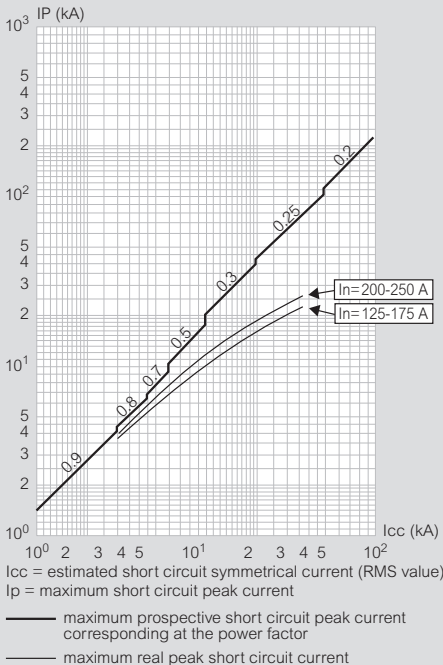
Pass-through specific energy characteristics

DRX 250 $I_{max} = 250 \text{ A}$ from 18 kA to 36 kA 3P - 4P at 415 V~



Current limitation

DRX 250 $I_{max} = 250 \text{ A}$ from 18 kA to 36 kA 3P - 4P at 415 V~

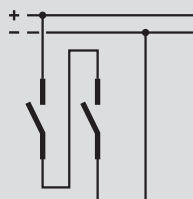


Technical characteristics

	DRX - 18 kA	DRX - 25 kA	DRX - 36 kA
Number of poles	3P - 4P	3P - 4P	3P - 4P
Nominal current I_n (A)	125-250	125-250	125-250
Neutral protection for 4P version (%)	100	100	100
Rated insulation voltage U_i (V)	690	690	690
Rated impulse withstand current I_{imp} (kV)	6	6	6
Rated operating voltage (50/60 Hz) U_e (V)	600	600	600
Ultimate breaking capacity I_{cu} (kA) IEC 60947-2	110/130 V~	35	85
	220/240 V~	35	65
	380/415 V~	18	25
	440/460 V~	15	30
	480/550 V~	10	20
Ultimate breaking capacity I_{cu} (kA) NEMA AB-1	600 V~	7,5	12
	125 V=	10 ⁽¹⁾	30 ⁽¹⁾
	250 V=	5 ⁽¹⁾	15 ⁽¹⁾
Standard breaking capacity I_{cs} (% I_{cu})	50	50	50
Category of use	A	A	A
Suitable for isolation	YES	YES	YES
Endurance (cycles)	mechanical	25000	25000
	electrical at I_n	8000	8000
	electrical at 0.5 I_n	10000	10000

1: 2 poles in series

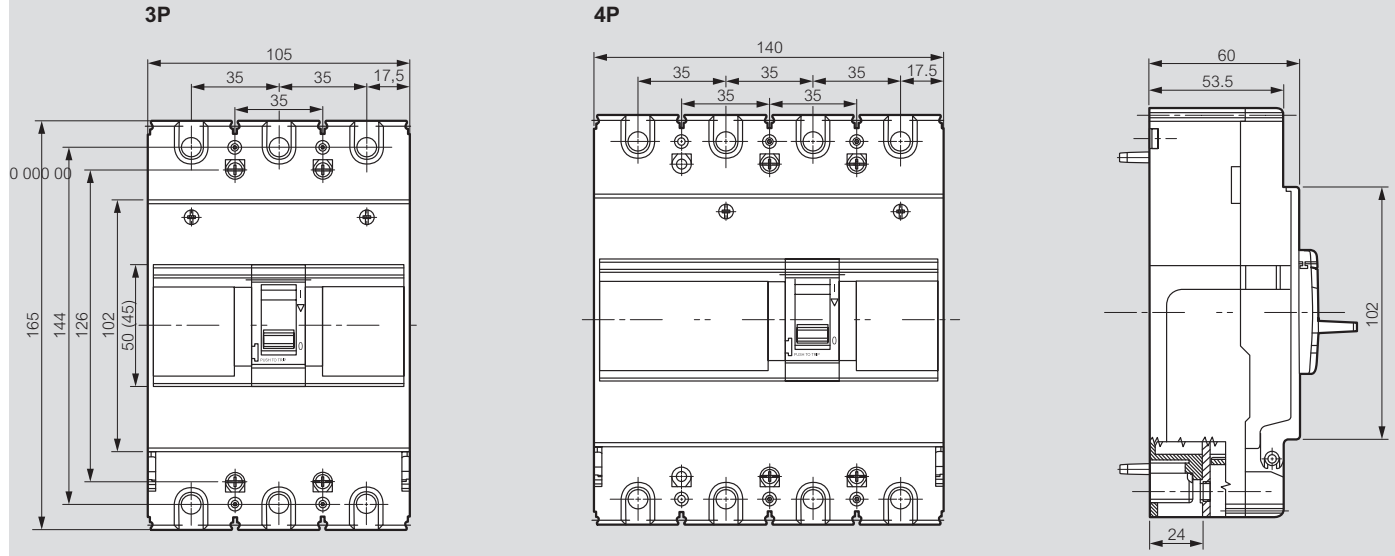
2 poles in series



DRX™ 250

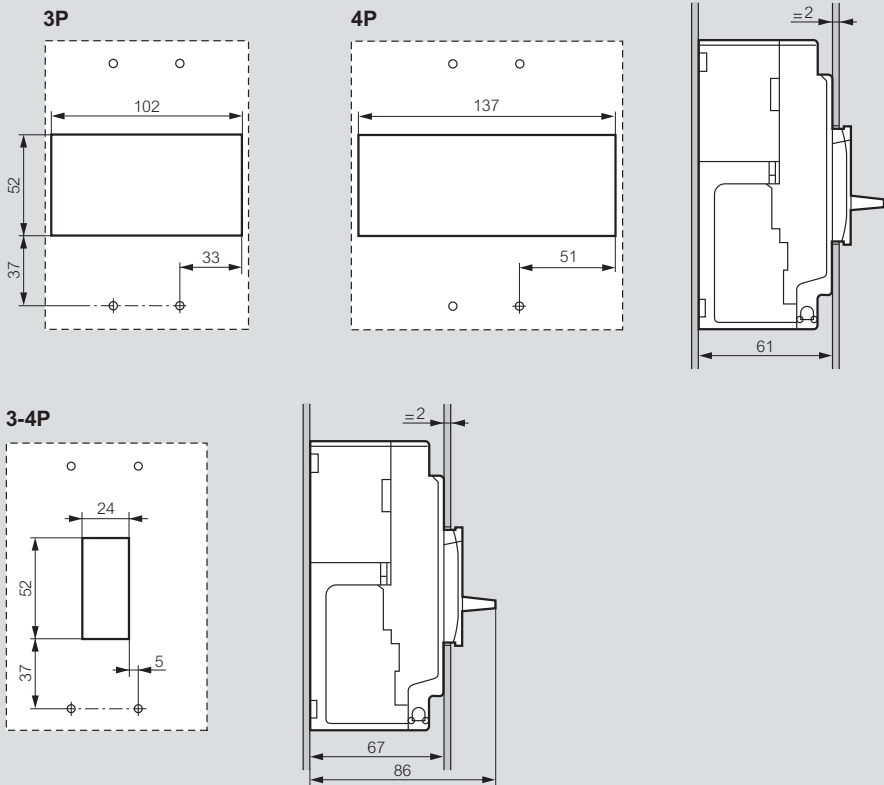
dimensions, mounting principle and connection

Dimensions

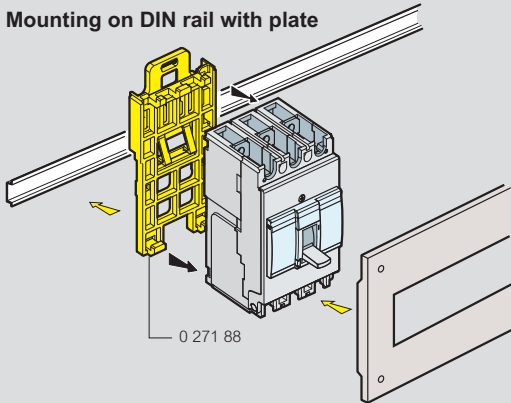


Mounting principle

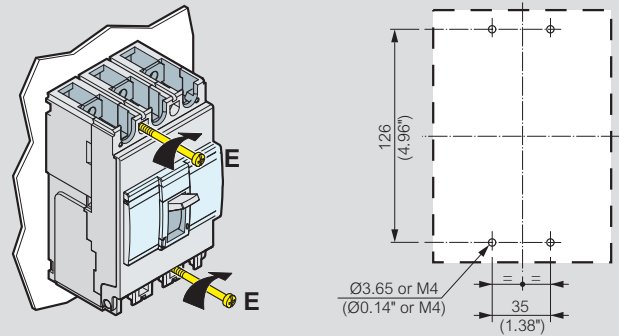
Door cut-out



Mounting on DIN rail with plate

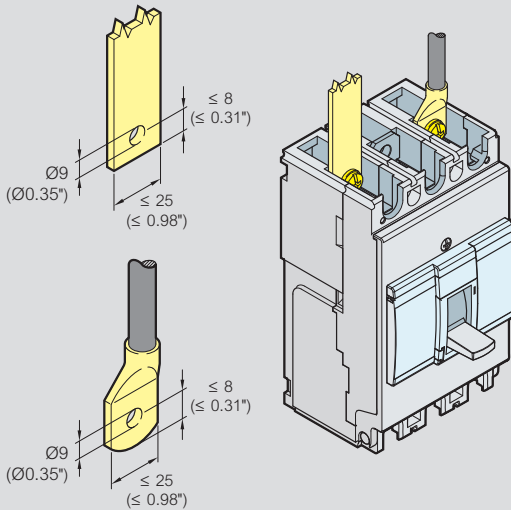


Fixing on plate

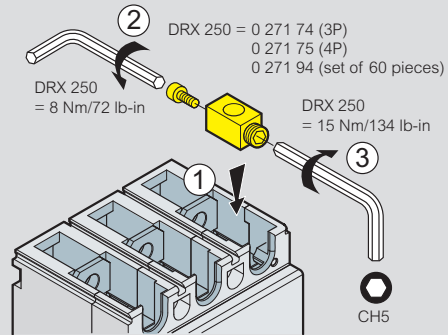


Connection

Connection via busbar



Connection via cable



DRX 250 - 125 to 250 A

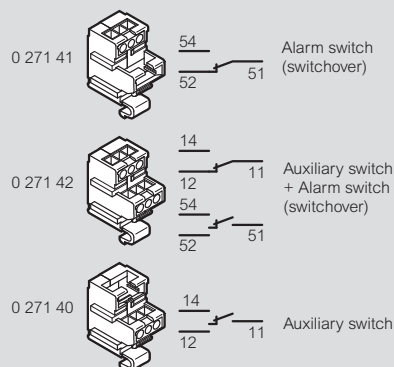
Flexible
35 mm² ⇒ 120 mm²
#2 ⇒ #250 MCM

or

Solid
35 mm² ⇒ 150 mm²
#2 ⇒ #300 MCM

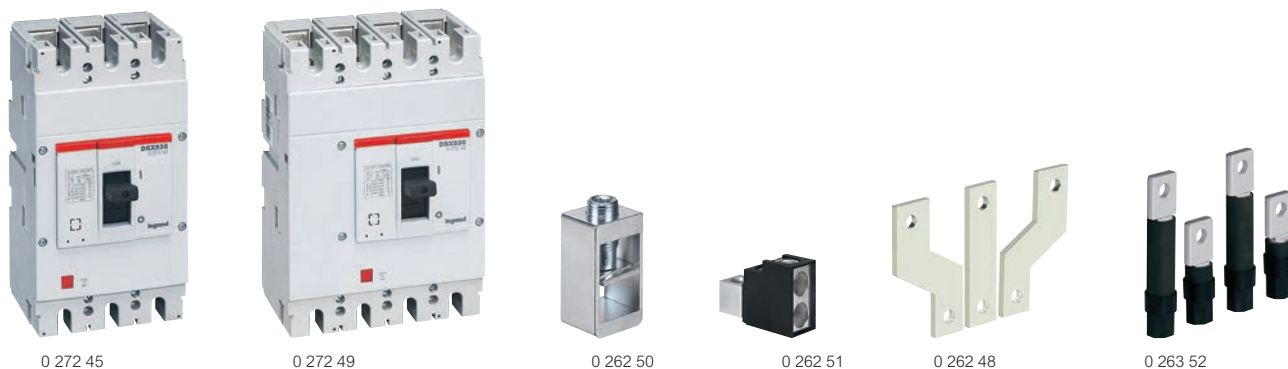
Auxiliary contacts

	Voltage (V)	Resistive load (A)
Vac	125	5
	250	5
Vdc	30	5
	50	1
	75	0.75
	125	0.5
250	0.25	
Mechanical endurance (No. of operations)		5 x 10 ⁶
Temperature (°C)		- 40 to 85 °C



DRX™ 630

thermal magnetic MCCBs from 320 to 630 A



Technical characteristics and curves p. 15 to 17

For switching, control, isolation and protection of low-voltage electrical lines
 Can be fitted with auxiliaries
 Supplied with:
 - M8 terminals
 - Fixing screws
 - Insulating shields (2 for 3P and 3 for 4P)
 Fixed thermal and magnetic
 Conform to IEC 60947-2

Pack	Cat.Nos		DRX 630
	3P	4P	Breaking capacity I_{cu} 36 kA (415 V_~)
1	0 272 34	0 272 38	In
1	0 272 35	0 272 39	320 A
1	0 272 36	0 272 40	400 A
1	0 272 37	0 272 41	500 A
			Breaking capacity I_{cu} 50 kA (415 V_~)
1	0 272 42	0 272 46	In
1	0 272 43	0 272 47	320 A
1	0 272 44	0 272 48	400 A
1	0 272 45	0 272 49	500 A
			630 A

Pack	Cat.Nos	Rotary handles
1	0 272 50	Direct on DRX Standard (grey)
1	0 272 51	Vari-depth handle Comprising: connecting rod, bracket, drilling template, mounting accessories, door locking mechanism Standard (grey)

Pack	Cat.Nos	Connection accessories
1	0 262 30	Insulating shields Used to isolate the connection between each pole Set of 2 pieces
1	0 262 44 0 262 45	Sealable terminal shields Set of 2
1	4 222 34 4 222 35	IP 20 terminal cover Set of two terminal covers
1	0 262 50	Cage terminals Set of 4 cage terminals for cables
1	0 262 51	Set of 4 high capacity cage terminals for cables
1	0 262 47	Extended front terminals Set of 4 extended front terminals

Pack	Cat.Nos		Connection accessories (continued)
1	0 262 48	0 262 49	Spreaders Set of incoming or outgoing spreaders
1	0 263 50	0 263 51	Swivel terminals Set of incoming or outgoing swivel terminals
1	0 263 52	0 263 53	Flat terminals Set of incoming or outgoing flat terminals

Pack	Cat.Nos	Padlock for DRX 630
1	0 262 40	For locking on "OFF" position (up to 3 locks)

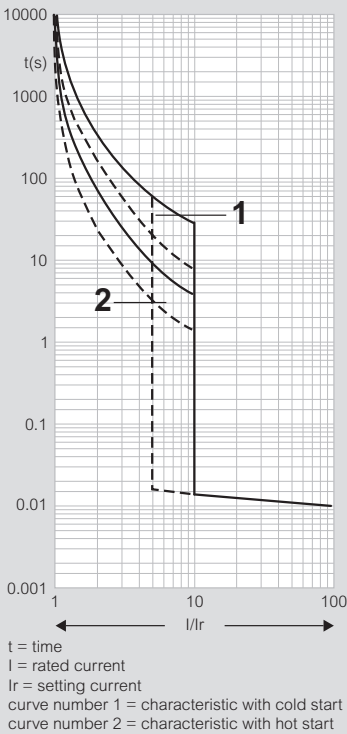
Pack	Cat.Nos	Control and signalling auxiliaries for DRX 630
1	4 210 11	Auxiliary contact or fault signal For DPX ³ , DPX ³ -I and DRX For signalling the state of the contacts or opening of the MCCB on a fault Changeover switch 3 A - 240 V _~
1	4 222 39	Shunt releases Shunt inrush power 300 V _~ Coil voltage 24 V _~ and =
1	4 222 40	48 V _~ and =
1	4 222 41	110 V _~ and =
1	4 222 42	230 V _~ and =
1	4 222 43	400 V _~ and =
1	4 222 44	Undervoltage releases Undervoltage power consumption 5 V _~ Coil voltage 24 V _~
1	4 222 45	24 V _~
1	4 222 46	48 V _~ and =
1	4 222 47	110 V _~ and =
1	4 222 48	230 V _~ and =
1	4 222 49	400 V _~ and =

DRX™ 630

technical characteristics and curves

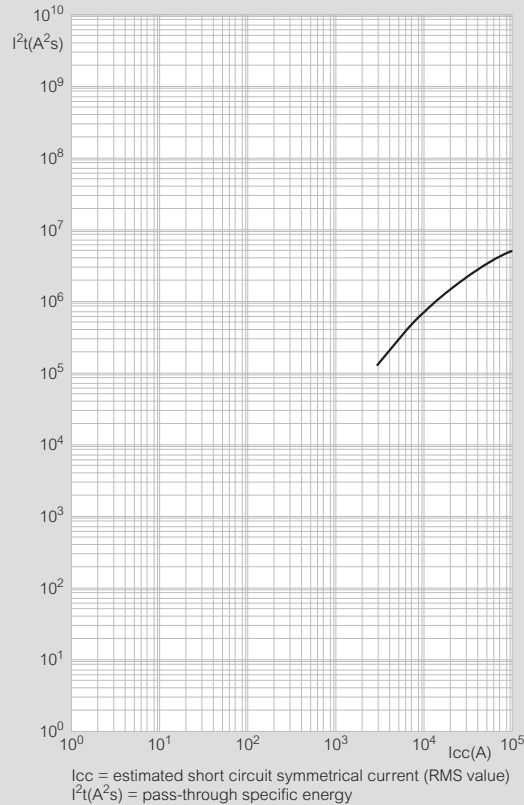
Curves

DRX 630 $I_{max} = 630\text{ A}$ from 36kA to 50 kA 3P - 4P



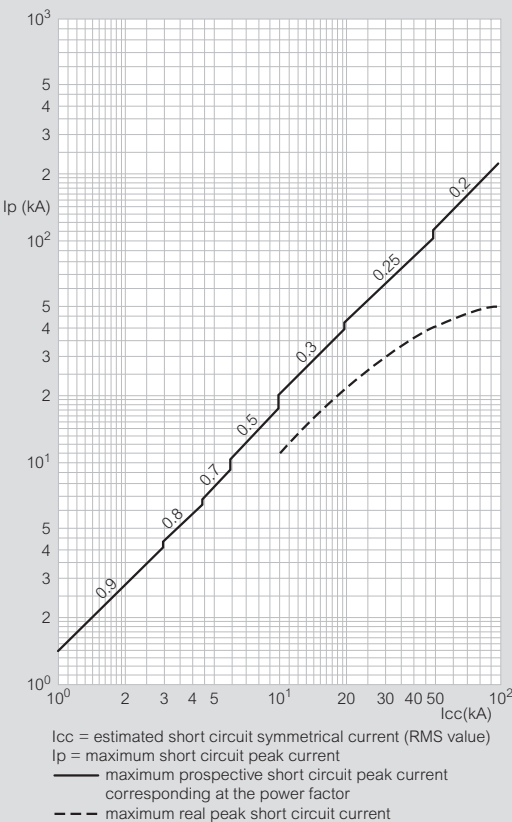
Pass-through specific energy characteristics

DRX 630 $I_{max} = 630\text{ A}$ from 36kA to 50 kA 3P - 4P at 415 V~



Current limitation

DRX 630 $I_{max} = 630\text{ A}$ from 36kA to 50 kA 3P - 4P

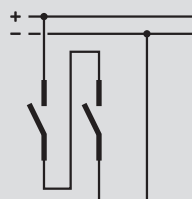


Technical characteristics

	DRX - 36 kA	DRX - 50 kA
Number of poles	3P - 4P	3P - 4P
Nominal current I_n (A)	320-630	320-630
Neutral protection for 4P version (%)	100	100
Rated insulation voltage U_i (V)	690	690
Rated impulse withstand current U_{imp} (kV)	6	6
Rated operating voltage (50/60 Hz) U_e (V)	600	600
	220/240 V~	65
	380/415 V~	36
Ultimate breaking capacity I_{cu} (kA) IEC 60947-2	440/460 V~	30
	480/550 V~	25
	125 V=	40
	250 V=	36
Ultimate breaking capacity I_{cu} (kA) NEMA AB-1	240 V~	60
	480 V~	25
	550 V~	25
Standard breaking capacity I_{cs} (% I_{cu})	50	50
Category of use	A	A
Suitable for isolation	YES	YES
Endurance (cycles)	mechanical	25000
	electrical at I_n	8000
	electrical at 0.5 I_n	10000

1: 2 poles in series

2 poles in series

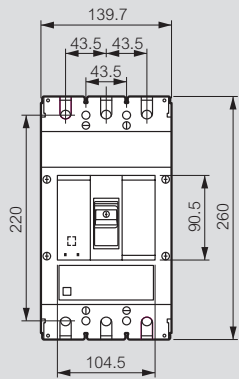


DRX™ 630

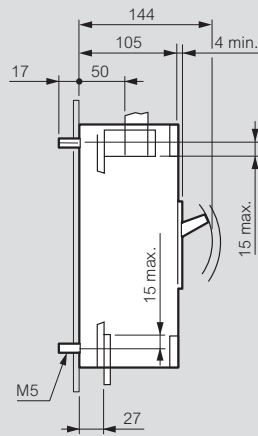
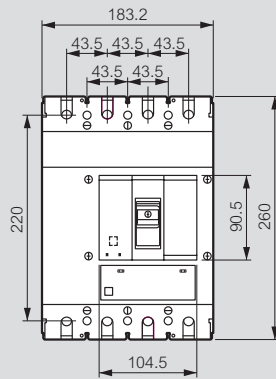
dimensions, mounting principle and connection

Dimensions

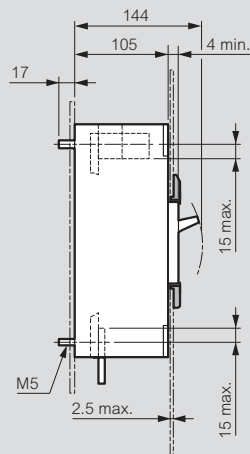
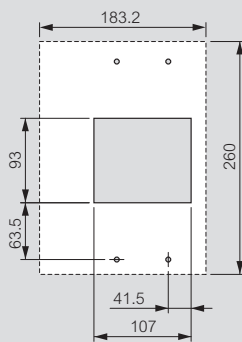
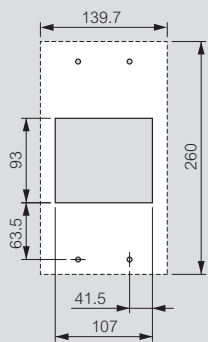
3P



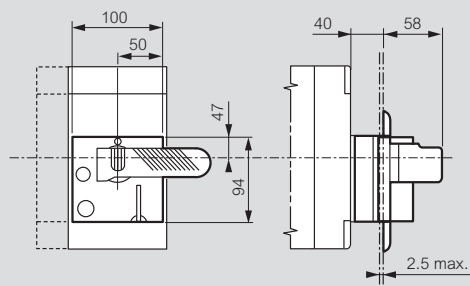
4P



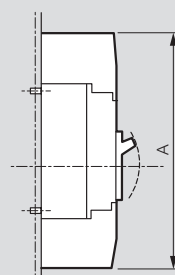
Door cut



Rotary handle-direct on DPX

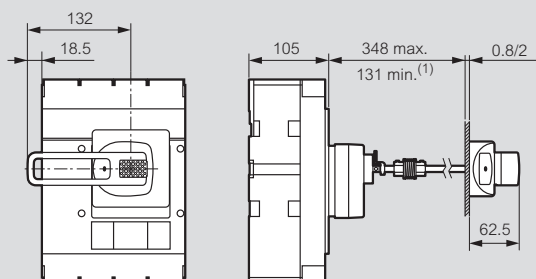


Terminal shields



Rotary handle-vari-depth handle on door

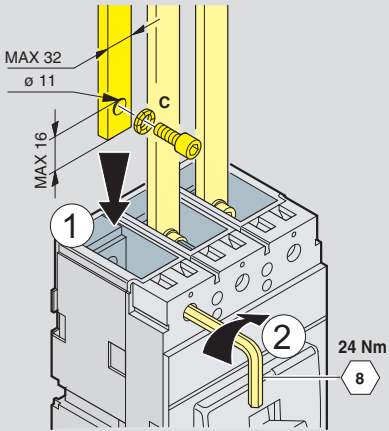
Mounting with flexible seal



1: 75 mm without mechanical system

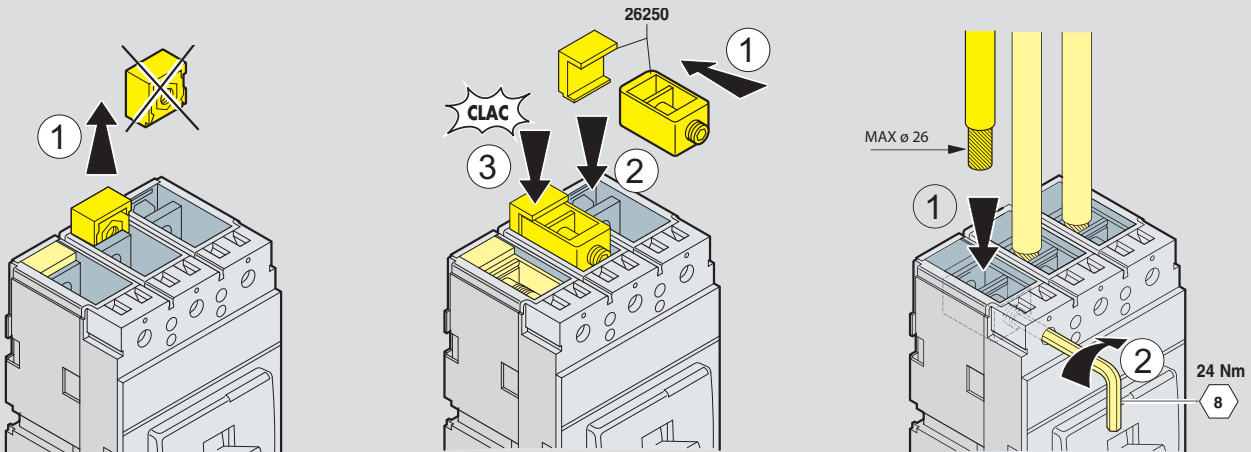
Connection

Connection via busbar

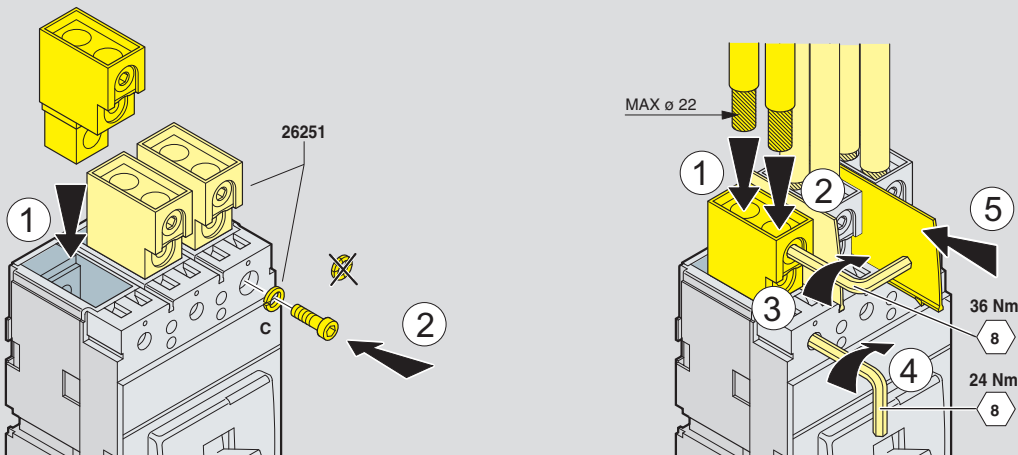


Connection via cable

With cage terminals Cat.No 0 262 50



With high capacity cage terminals Cat.No 0 262 51





FOLLOW US ALSO ON

@ www.legrand.com

 www.youtube.com/user/legrand

 www.facebook.com/Legrand

 twitter.com/legrand_news

 pinterest.com/legrandgroup

EXB 14014 - July 2014



World Headquarters
and International Department
87045 Limoges Cedex - France
☎ : + 33 (0) 5 55 06 87 87
Fax: + 33 (0) 5 55 06 74 55